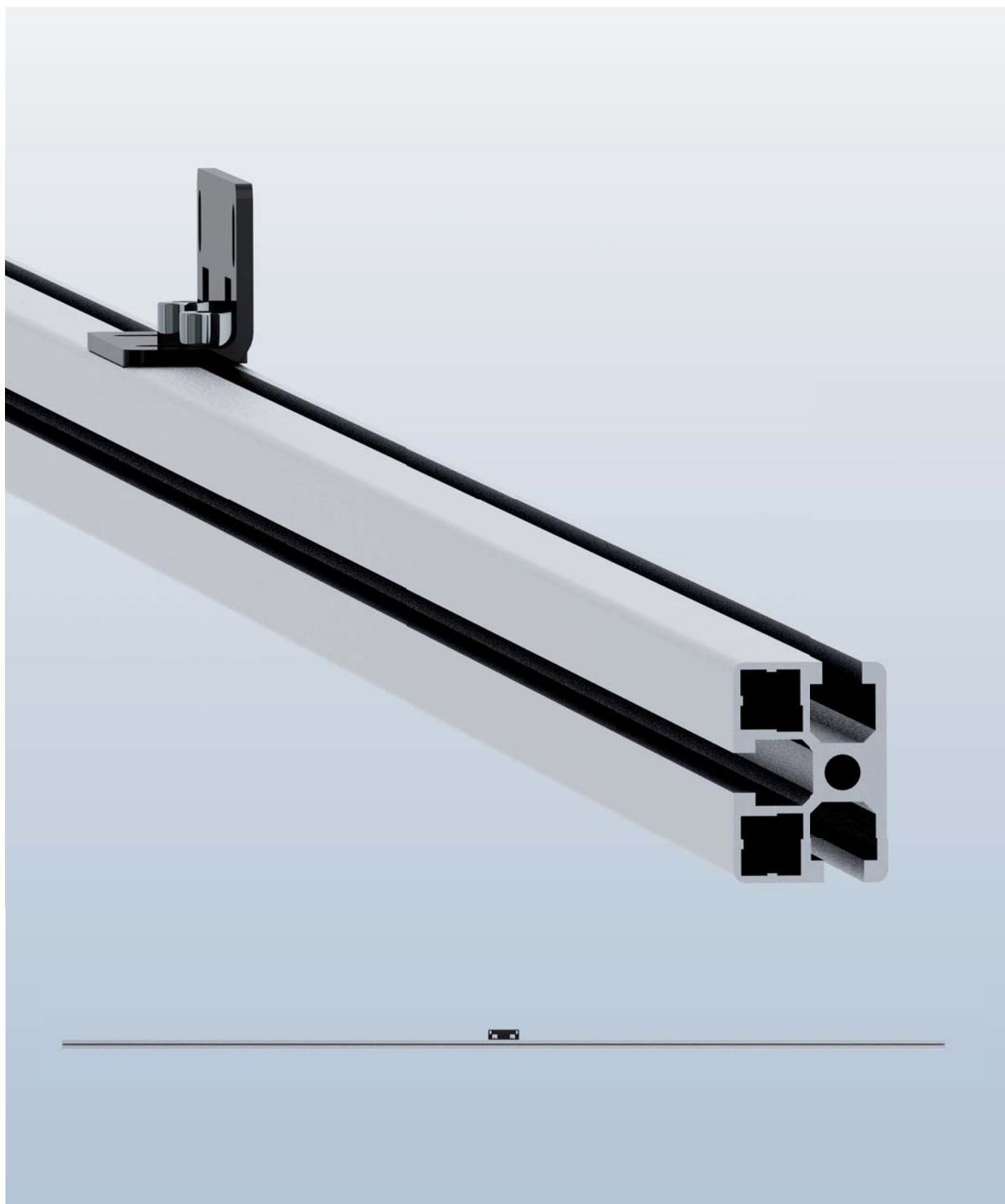


SMS MULTI DISPLAY WALL PILLAR



Extra fast and accurate mounting of video rows.

Using one long mounting rail rather than several small ones allows you to mount SMS Multi Display Wall modules faster, and perfectly aligned. The long rail has an additional advantage where it is necessary to fix mounting screws in wall beams,

since it will cover more beams. This makes it easier to find the locations of a sufficient number of beams for safe mounting. The product consists of two rails of length 2,000 mm, on which Multi Display Wall modules are mounted as required. It is possible to cut and combine the rails freely. And everything is made from aluminium.

INFO

- Finish: Aluminium
- Each package contains two rails of length 2,000 mm.
- The rails can be cut to the desired length.
- Simplifies mounting of the Multi Display Wall series. Wall fittings and end caps are included in the Multi Display order.

ART. NO.
PW010006

DESCRIPTION
SMS Multi Display Wall Pillar

NB! It is important to use all of the pieces that are included in the Multi Display wall fittings used with the product, in order to ensure the strength and load capacity of the mounting.

