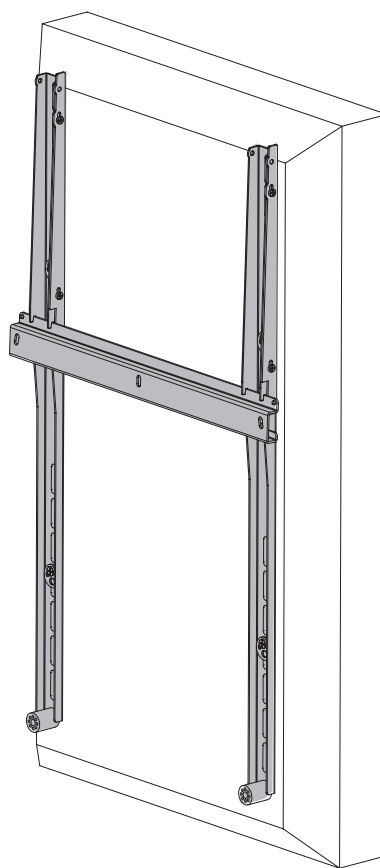
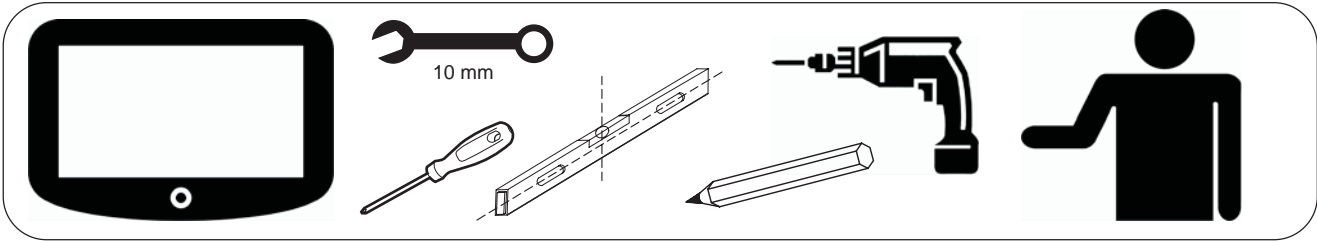


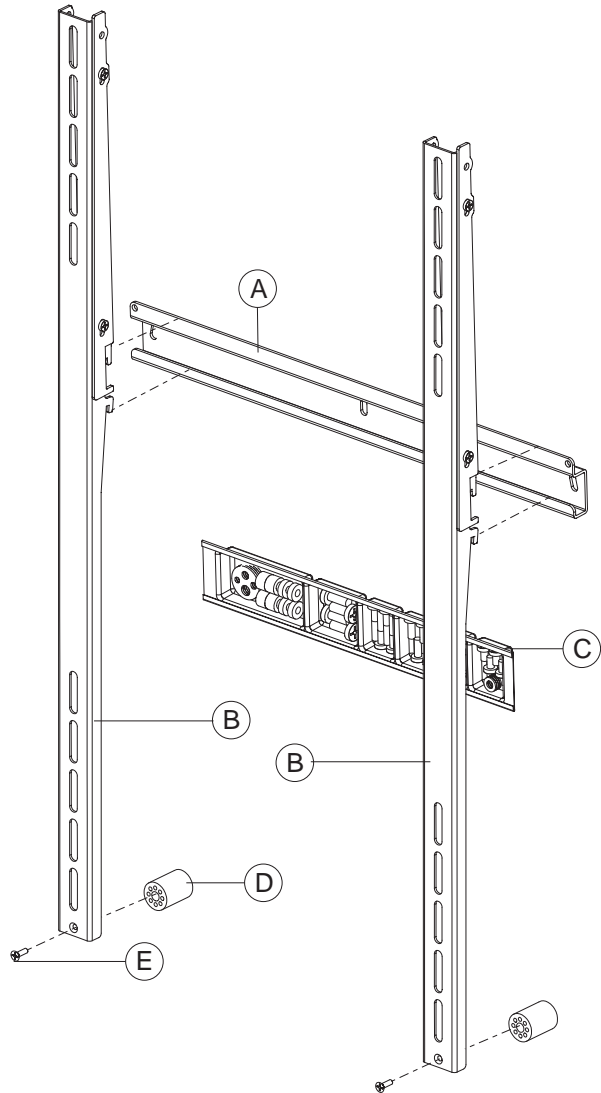
# MANUAL

- GB – Instructions for Mounting
- DE – Montageinformation
- IT – Istruzioni per il montaggio
- ES – Instrucciones para el montaje
- FI – Asennusohjeet
- FR – Instructions de montage
- NL – Montagevoorschriften
- PL – Instrukcja montażu
- RUS – Инструкция по монтажу
- ARB – عربي - طريقة التركيب
- SE – Monteringsinstruktion
- GR – Πληροφορίες συναρμολόγησης

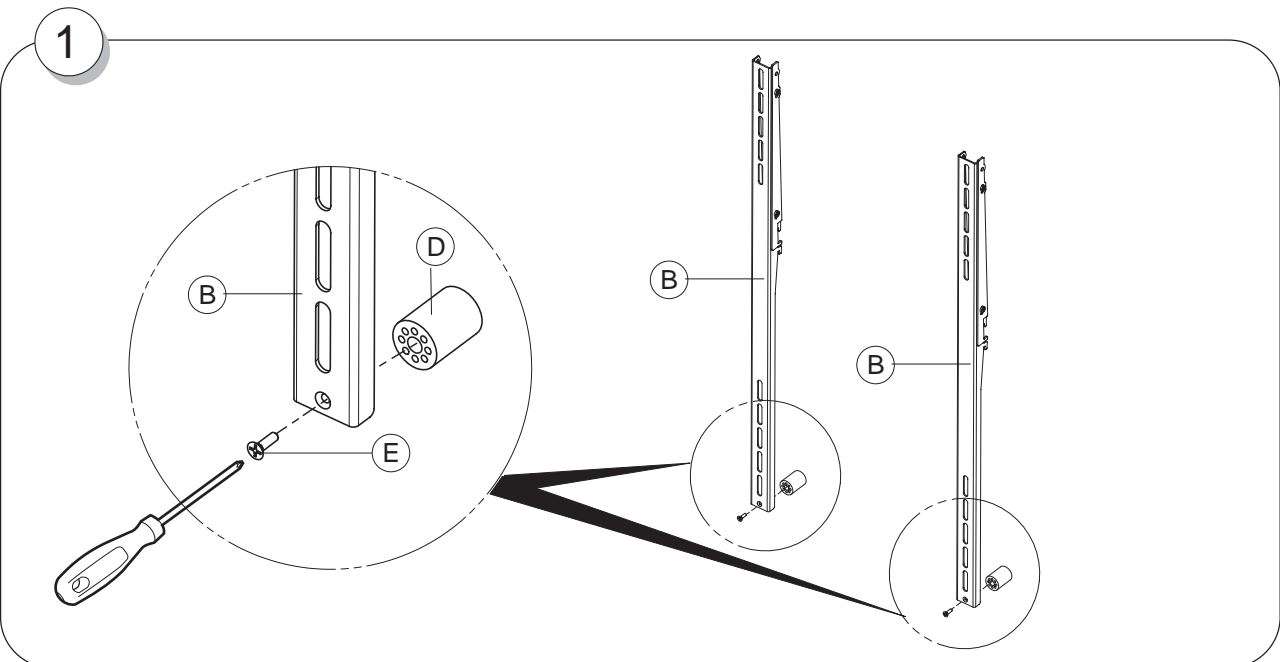


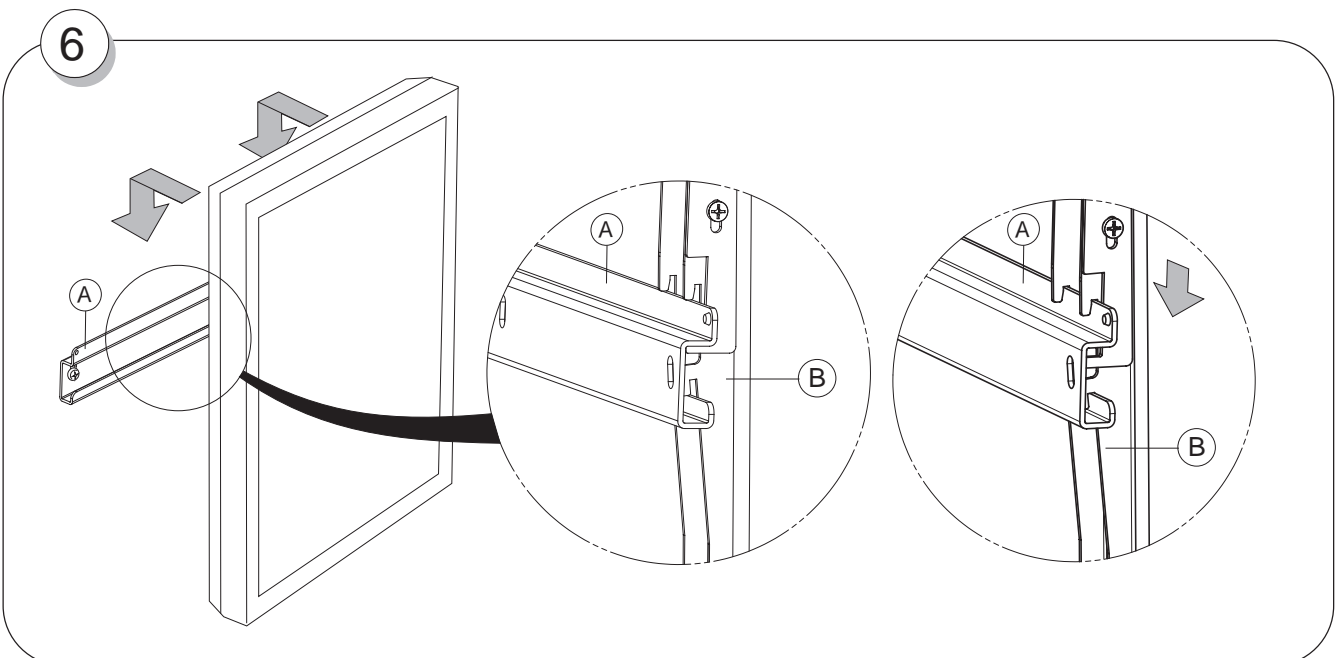
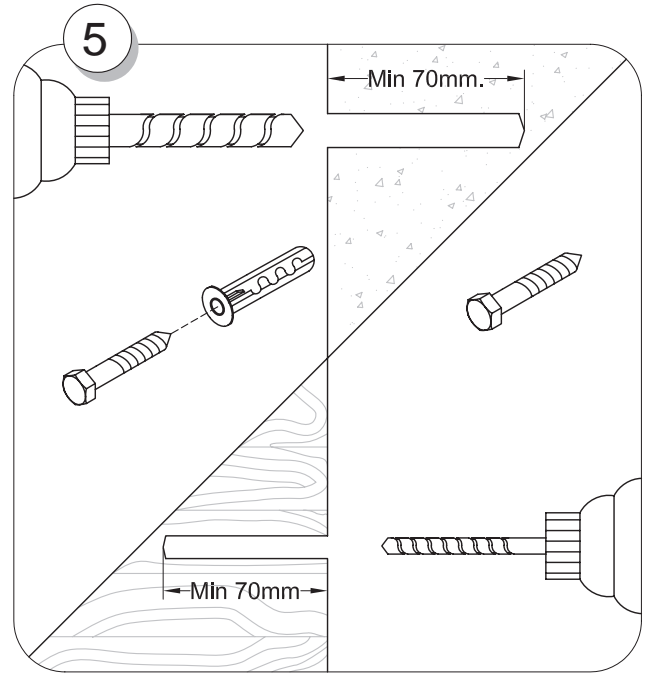
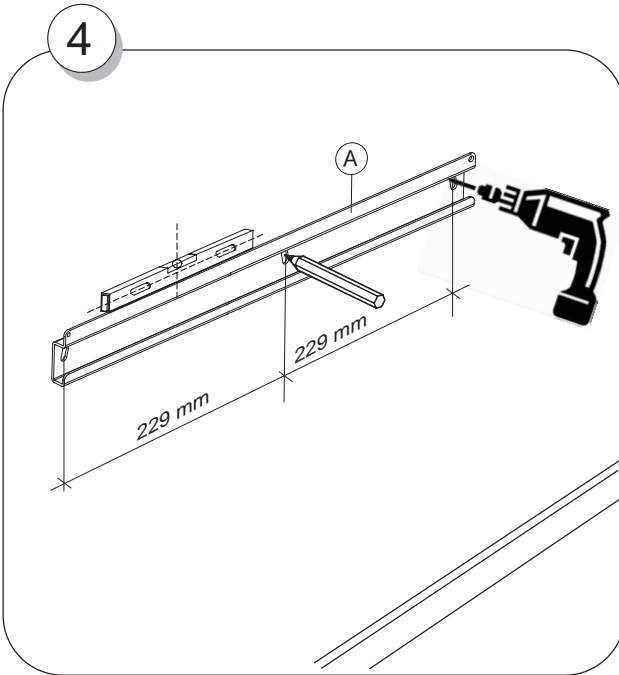
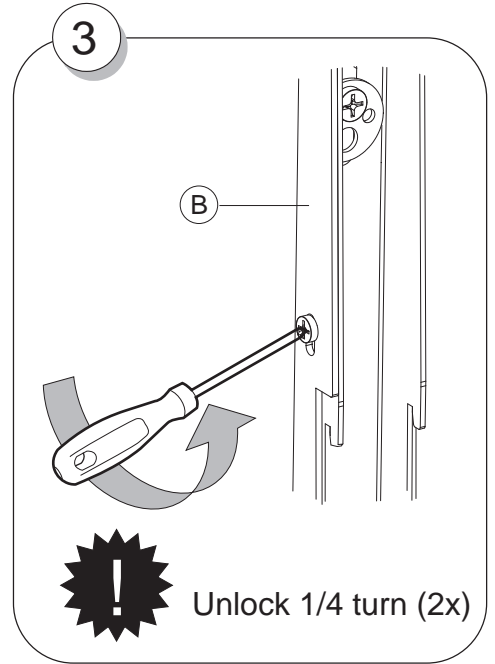
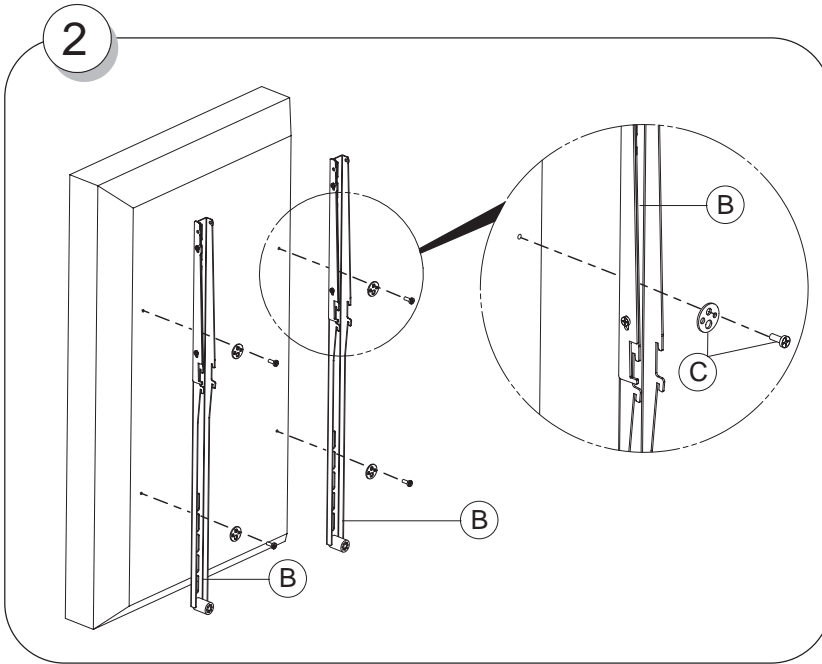


A	Wall Plate	1	
B	Vertical Bar	2	
C	Screw Bag	1	
D	Spacer D25/d8,2x33	2	
E	Screw ST4,2x16	2	



C	Screw Bag	1	
	Screw M4x16	4	
	Screw M6x16	4	
	Screw M6x30	4	
	Screw M8x20	4	
	Spacer plastic d8,2/D15x10	4	
	Spacer plastic d6,1/D15x5	4	
	Washer 6,4	4	
	Multiple washer	4	
	Screw M6x10	4	
	Allen Key 4	2	





7

