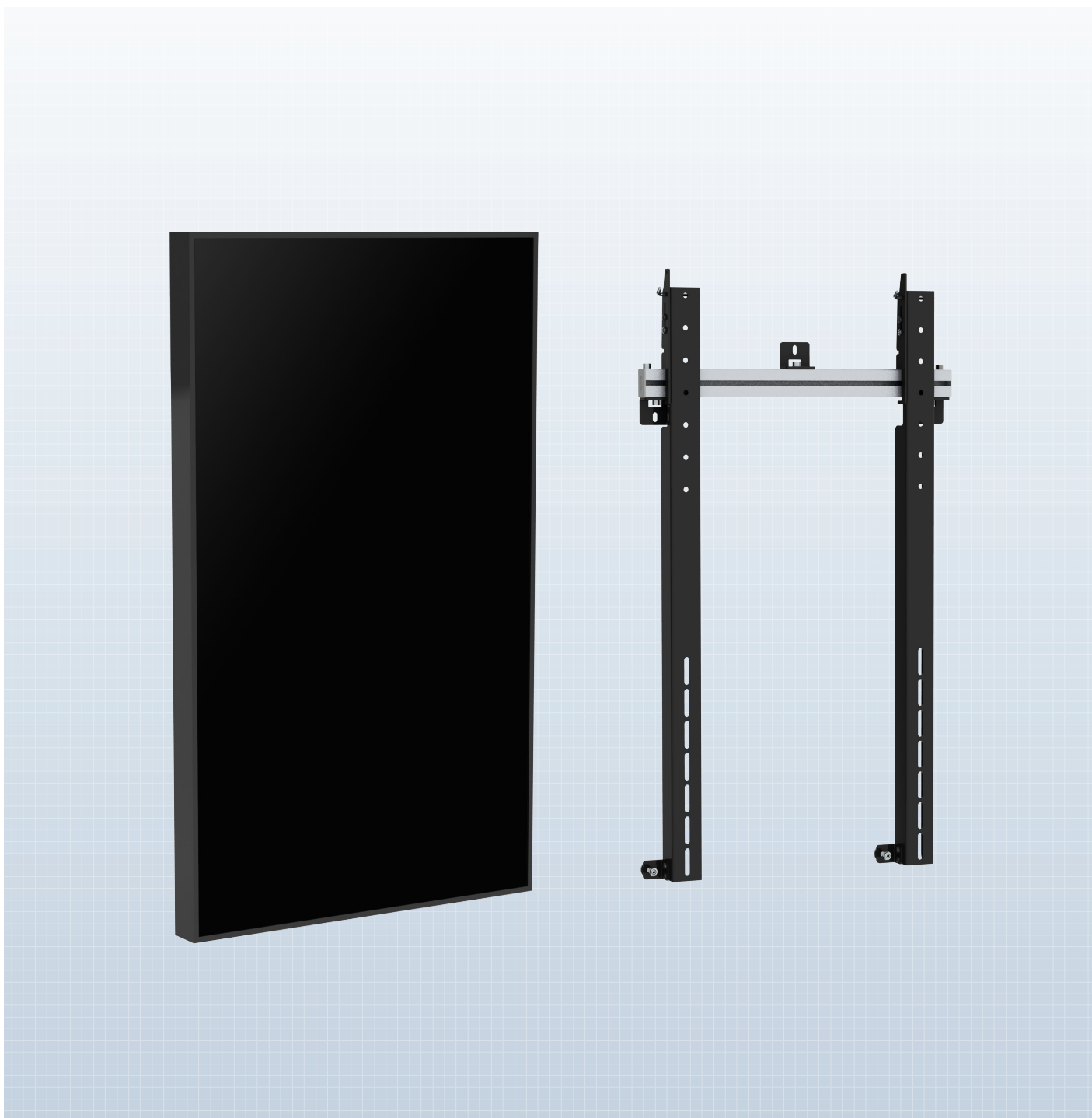


SMS MULTI DISPLAY WALL PORTRAIT



Mount large screens close to the wall in portrait mode.

A cost-effective and simple way of constructing a video wall from a row of screens mounted in portrait mode. The solution can be used with screens from approximately 46", right up to 70".

Simply choose as many modules as you need. Each module is supplied as a complete package with all necessary components, and can be set up in three easy steps. The solution makes it easy to place the screens exactly in line and allows edge-to-edge mounting. The final result lies closer to the wall than most other products on the market.

QUESTIONS AND ANSWERS

Easy to mount – what exactly does it mean?

All that is required is that you use a spirit level to align the holes in the wall into which the wall rail will be screwed. Only three holes are needed for each module. Once the wall rail is correctly positioned, the screen will automatically sit correctly. All that remains is simple fine adjustment.

What components are required to mount one module?

What is included?

You order one package, which contains all that is needed: wall rail, screen fittings, screws, nuts and end caps.

Spread your message anywhere.



QUESTIONS AND ANSWERS

What is the maximum number of screens that can be used in a video wall or row?

Suitable for screens with VESA standard 100-400 mm vertically, 300-900 mm horizontally. The more screens that are mounted in the vertical direction, the greater will be the screen temperature. Always double check the recommendations from the screen manufacturer.

This design supports very large screens, isn't the combined weight a problem?

The wall bracket is manufactured from aluminium and is lighter than those used in many other designs. The very close distance between screen and wall, 46.5 mm, also contributes to giving an impression of lightness.

Is it possible to secure the screens?

Each screen can be locked with the accompanying locking pin or with a padlock (not included), to increase personal safety and security from theft.

Construct a video wall of any dimension and shape with the aid of easily mounted modules, designed to make exact alignment of the screens easy. Fine adjustment in the vertical and depthwise directions allows edge-to-edge mounting.



All you need to do is drill three holes in the wall. You fix the wall rail to these, which, when correctly aligned, ensure that the screen also is.

INFO

- Finish: aluminium/black.
- Suitable for VESA standard: 100-400 mm vertically, 300-900 mm horizontally.
- Max. load: 100 kg/screen.
- Can be adjusted both depthwise and vertically. Simple fine adjustment.
- Distance between wall and rear of screen: 46.5 mm.
- Can be locked with the accompanying locking pin or with a padlock (not included), to increase personal safety and security from theft.
- Suitable for screens approximately 46-70".
- All components are supplied in a single package.
- The accompanying end caps give attractive ends to the installation. They also reduce the risk of injury from the aluminium profiles.

ART. NO.

PW010003

DESCRIPTION

SMS Multi Display Wall Portrait

ACCESSORIES

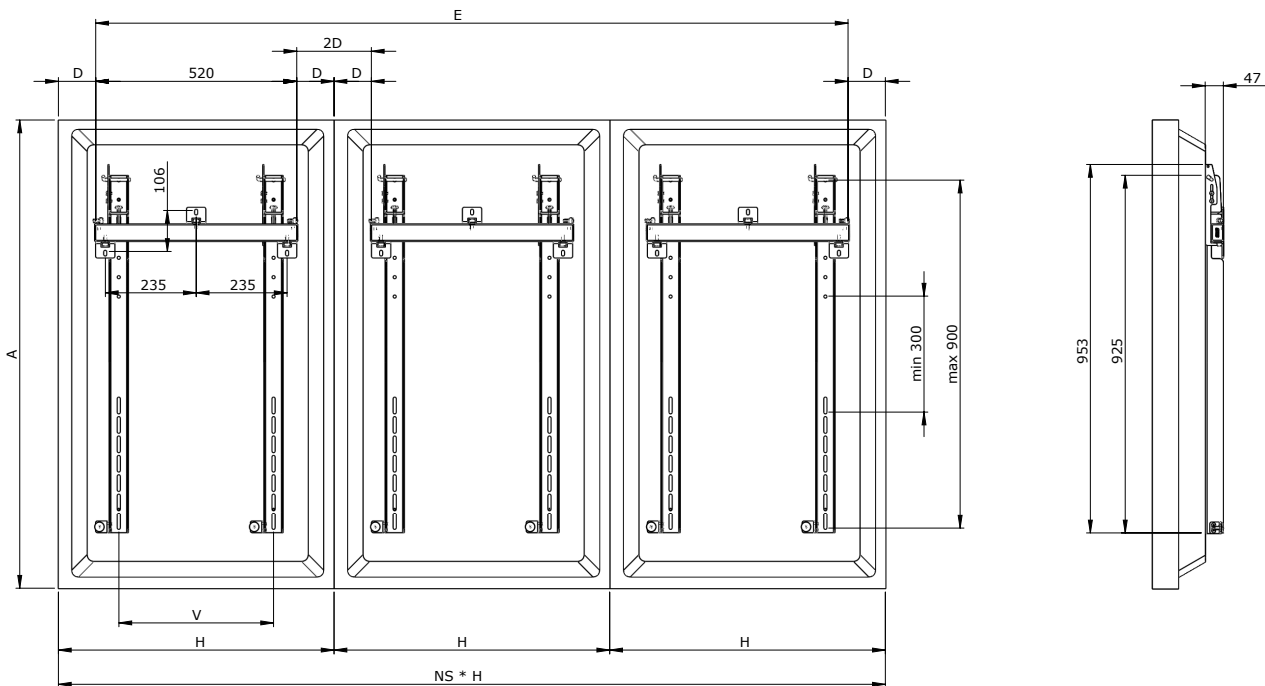
PW010006

SMS Multi Display Wall Pillar

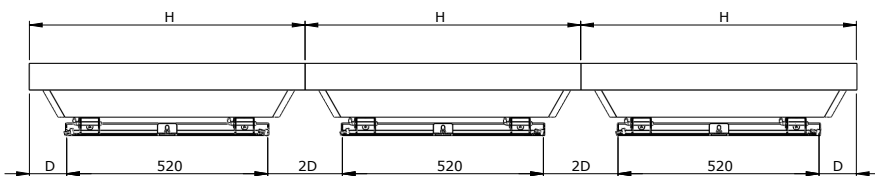
Simple ordering – one package and one article number for each screen!

A single article number covers everything needed to order one module (containing equipment for one screen).

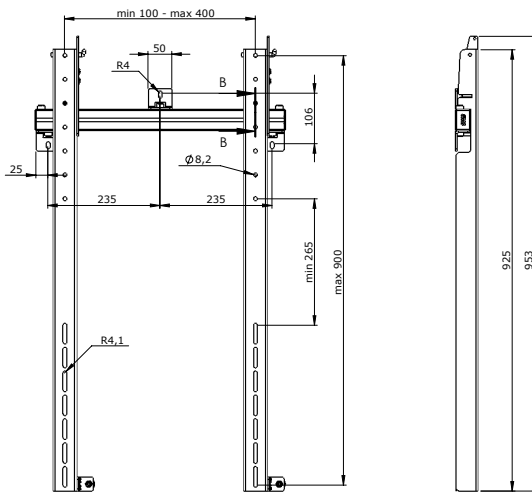
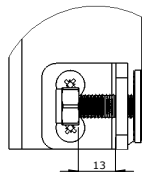
For example: order 3 x PW010003 for a video row of three screens.



Vesa V Dimensions = min 100/200/300/max 400
 $D = (H - 520) / 2$
 $E = (NS * H) - (2 * D)$
 NS = Number of screens
 H = Screen Height
 A = Screen Width



DETAIL A
SCALE 1 : 1



SECTION B-B
SCALE 1 : 2

